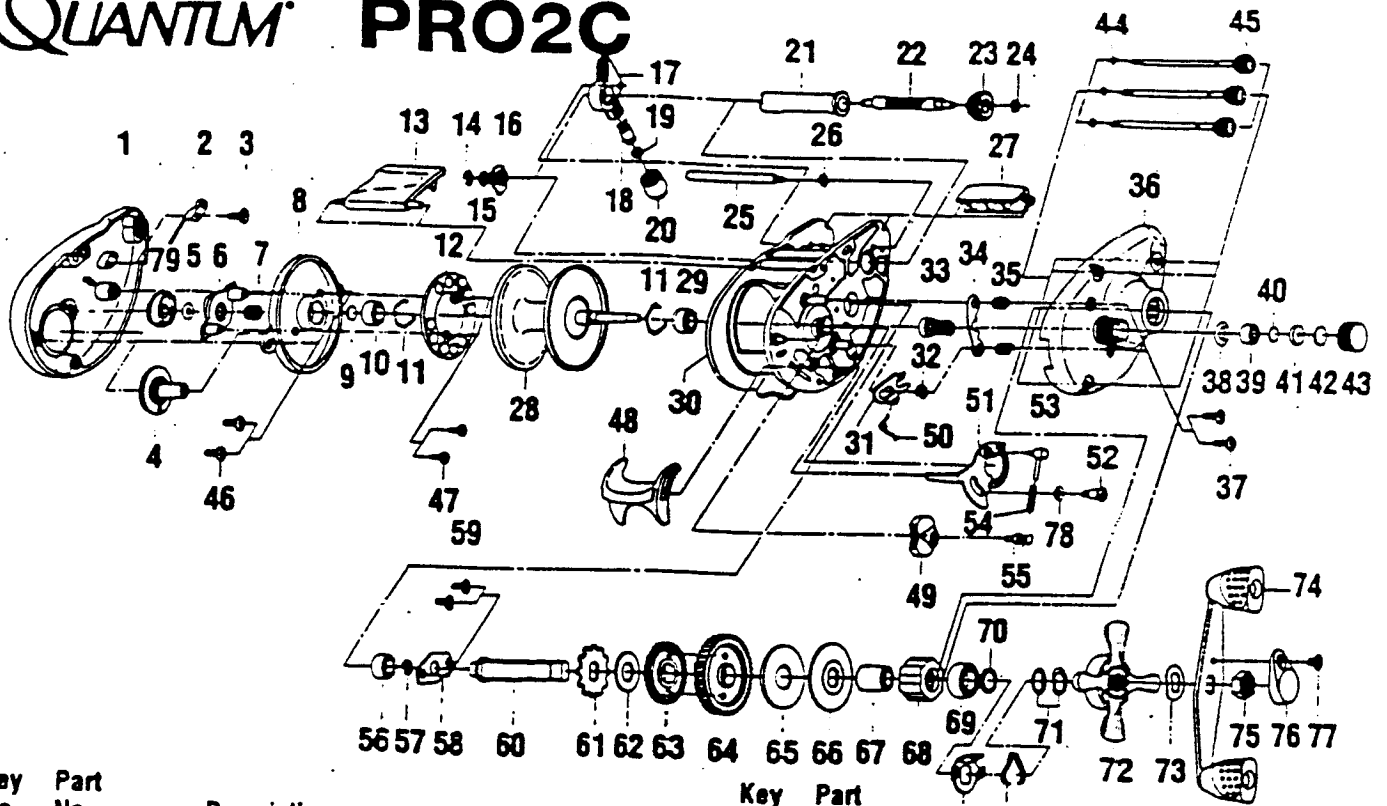


QUANTUM PRO2C



Key No.	Part No.	Description	Price	Key No.	Part No.	Description	Price
1	TW023	LEFT SIDE COVER	8.24	40	QW032-1	SPOOL TENSION KNOB	.52
2	QW108	CLICKER	.93	41	QW081	COLLAR	.93
3	QW125	SPOOL COVER SCREW	.93	42	QW082	SPOOL CUSHION WASHER	.93
4	UW026	MAGNET CONTROL CAM	1.53	43	QW033-1	SPOOL TENSION KNOB	2.83
5	CX4250	O RING	.49	44	QW073	RING-THUMB SCREW RET.	1.13
6	QW028	SLIDE CAM	1.13	45	QW374	THUMB SCREW	1.13
7	CX4301	MAGNET RET. SPRING	.36	46	QW125	SPOOL COVER SCREW	.93
8	QW051	SPOOL COVER	2.68	47	QW076	SCREW	.62
9	QW032-1	SPOOL TENSION KNOB	.52	48	SW009	THUMB BAR	2.73
10	SW017	CRANK SHAFT BEARING	6.59	49	SW087	FLIPPIN' SWITCH	.93
11	QW080	CLIP RING	.52	50	QW097	KICK LEVER SPRING	.62
12	QW330	MAGNET PLATE ASSY	5.51	51	SW039	RELEASE SLIDER	2.16
13	UW027	HOOD	5.46	52	UW076	RELEASE SLIDER SCREW	.62
14	ZX4657	RETAINER CLIP	.69	53	SW041	SPRING ANCHOR	.93
15	QW035-3	WASHER - WORM SHAFT	.62	54	UW104	RELEASE SLIDER SPRING	.62
16	QW067	WORM SHAFT BUSHING	.93	55	SW120	SPRING PIVOT	.93
17	QW347	LINE GUIDE CARRIER	5.51	56	QW017	CRANK SHAFT BEARING	6.59
18	QW006	LINE GUIDE PAWL	2.68	57	CX4152	WORM SHAFT RETAINER	.31
19	QW035-3	WASHER - WORM SHAFT	.62	58	QW002	CRANK SHAFT RETAINER	1.13
20	TW007	LINE GUIDE CARRIER SCREW	2.77	59	TW107	CRANK SHAFT RET. SCREW	.93
21	QW016	WORM SHAFT GUIDE	1.91	60	QW008	CRANK SHAFT	5.41
22	QW072	WORM SHAFT	6.95	61	QW083	TRIP RATCHET	1.70
23	QW085	LEVEL WIND GEAR	1.70	62	QW111	WASHER	.62
24	VX4243	E-CLIP	.62	63	QW112	GEAR - LW IDLER	1.49
25	TW061	STABILIZER BAR	2.68	64	SW012	DRIVE GEAR	10.56
26	VX4243	E-CLIP	.62	65	QW059	DRAG DISC	2.94
27	TW099	FRONT SUPPORT	3.24	66	QW045	DRAG WASHER	1.24
28	QW321	SPOOL ASSY	14.42	67	QW052	CLUTCH SLEEVE	3.19
29	SW017	CRANK SHAFT BEARING.	6.59	68	QW063	ANTI-REVERSE CLUTCH	10.56
30	UW001	FRAME	26.24	69	TW058	BEARING - CRANK SHAFT. TOP	6.70
31	SW077	KICK LEVER	1.49	70	TW035	CRANK SHAFT WASHER	1.44
32	CX4152	WORM SHAFT RETAINER	.31	71	CX4662	DRIVE SHAFT SPR. WSHF.	.36
33	SW311	PINION GEAR	10.04	72	QW055	DRAG STAR	2.73
34	SW025	PINION YOKE	2.1	73	CX4660	HANDLE WASHER	.36
35	QW040	PINION YOKE SPRING	.93	74	TW318	HANDLE ASSY	6.18
36	UW324	RIGHT SIDE COVER	8.70	75	QW003	HANDLE NUT	1.60
37	QW053-2	RIGHT SIDE COVER SCREW	.93	76	QW034	HANDLE NUT CAP	.93
38	CX4258	O RING	.36	77	QW123-1	HANDLE NUT CAP SCREW	.93
39	QW117	BEARING	8.45	78	SW121	RELEASE SLIDER WASHER	.62

Prices subject to change without notice. Prices do not include postage and handling.

PLEASE ORDER BY PART NUMBER

Rev. 5/93

Zebco Division Brunswick Corporation, Box 270, Tulsa, OK 74101 USA 918-836-5581

