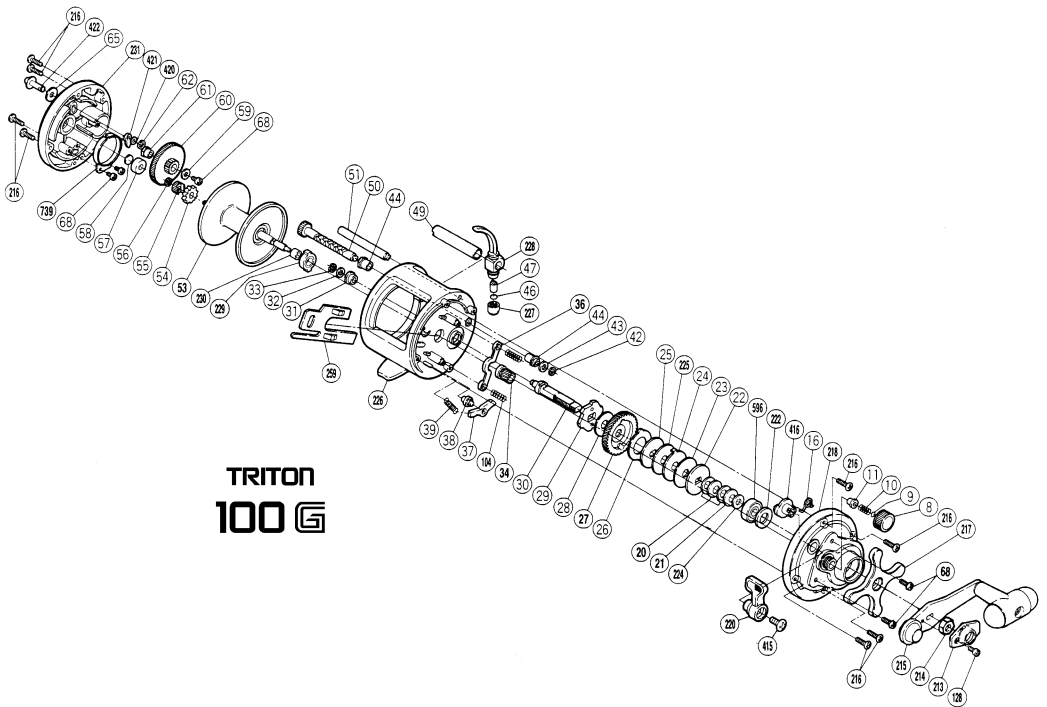


TRITON 100



TGT No.	PARTS NAMES	TGT No.	PARTS NAMES	TGT No.	PARTS NAMES
0008	Cast Control Cap	0042	Worm Shaft Retainer	0215	Handle Assembly
0009	Spacer "A"	0043	Worm Shaft Holder Washer	0216	Side Plate Screw
0010	Spool Tension Spring	0044	Worm Bearing	0217	Star Drag
0011	Spool Shaft Bushing "A"	0046	Spacer	0218	Right Side Plate
0016	Clutch Spring	0047	Line Guide Pawl	0220	Clutch Lever
0020	Drag Spring Washer "H"	0049	Level Wind Guard	0222	Bearing Spacer (A)
0021	Drag Spring Washer "G"	0050	Worm Shaft	0224	Bearing Spacer (B)
0022	Key Washer "F"	0051	Stabilizer Bar	0225	Drag Washer "I"
0023	Drag Washer "D"	0053	Spool	0226	Frame
0024	Eared Washer "E"	0054	Click Gear	0227	Pawl Cap
0025	Key Washer "C"	0055	Idle Gear "A"	0228	Line Guide
0026	Eared Washer "B"	0056	Idle Gear "A" Retainer	0229	Spool Shaft Bushing "C"
0027	Drive Gear	0057	Spool Shaft Bushing "B"	0230	Spool Shaft Spacer
0028	Drive Shaft Washer	0058	Spacer "B"	0231	Left Side Plate
0029	Anti-Reverse Ratchet	0059	Lock Washer	0259	Yoke Plate
0030	Drive Shaft	0060	Idle Gear "B"	0415	Clutch Lever Screw
0031	Drive Shaft Bushing	0061	Idle Gear "B" Bushing	0416	Clutch Cam
0032	Spacer	0062	Click Pawl Retainer	0420	Spacer B
0033	Drive Shaft Retainer	0065	Spacer A	0421	Click Pawl
0034	Pinion Gear	0068	Multipurpose Screw	0422	Click Button
0036	Yoke	0104	Yoke Spring	0596	Ball Bearing
0037	Anti-Reverse Pawl	0128	Handle Nut Plate Screw	0739	Click Spring
0038	Pawl Supporter	0213	Handle Nut Plate		
0039	Anti-Reverse Pawl Spring	0214	Handle Nut		