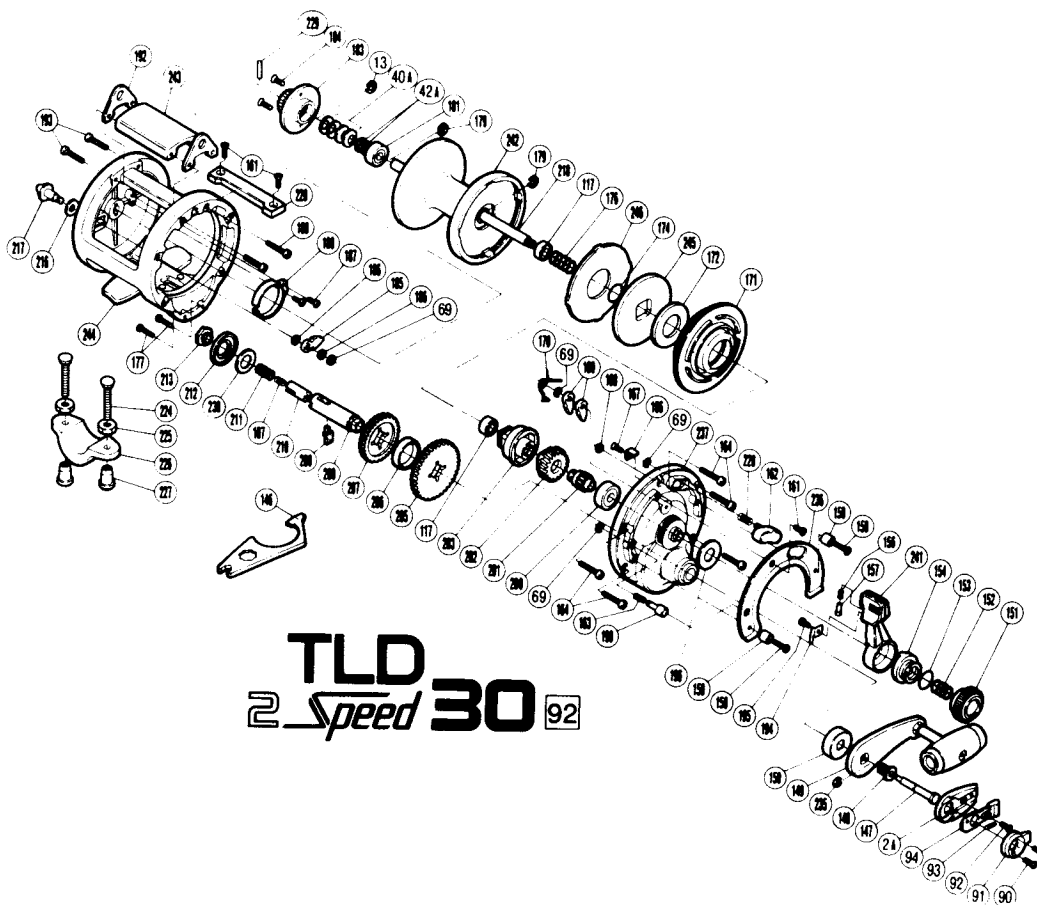


SHIMANO®

1992 REPAIR MANUAL

Shimano American Corporation, One Shimano Dr.
Irvine, CA 92718



TT No.	PARTS NAMES	TT No.	PARTS NAMES	TT No.	PARTS NAMES
0002A	Handle Bolt Plate	0169	Dog	0209	Gear Select Cross Bar
0013	"C" Lock	0170	Dog Spring	0210	Cross Bar Stop
0040A	Pre-Load Spring B	0171	Cooling Shield	0211	Drive Shaft Spring
0042A	Bearing Thrust Washer	0172	Pre-Load Spring A	0212	Friction Washer (A)
0069	"C" Lock	0174	Seal Lock	0213	Drive Shaft Screw
0090	Push Button Shield Screw	0176	Pressure Release Spring	0216	Click Button Washer
0091	Push Button Shield	0177	Side Plate Screw (B)	0217	Click Button
0092	Handle Bolt Plate Screw	0179	"C" Lock	0218	Main Shaft
0093	Slide Plate Spring	0181	Ball Bearing	0220	Line Guard
0094	Slide Plate	0183	Click Gear	0228	Pressure Spring (C)
0107	Drive Shaft Spring "B"	0184	Click Gear Screw	0229	Cross Pin
0117	Ball Bearing	0185	Click Pawl	0230	Friction Washer (D)
0147	Push "Low" Button Shaft	0186	Click Pawl Washer	0235	Handle Assembly
0148	Handle Bolt	0187	Click Spring Screw	0236	Lever Quadrant
0150	Drive Shaft Shield	0188	Click Spring	0237	Side Plate
0151	Pre-Program Dial	0189	Cross Bar Bolt (A)	0241	Drag Control Lever (# 50)
0152	Dial Spring	0192	Harness Lug	0242	Spool
0153	Body "O" Seal	0193	Cross Bar Bolt (B)	0243	Cross Bar
0154	Lever Shaft Body	0194	Lever Click Spring	0244	One Piece Frame
0156	Friction Shoe Spring	0195	Click Spring Screw	0245	Drag Plate
0157	Friction Shoe	0196	Lever Thrust Washer	0246	Drag Washer
0158	Quadrant Anchor Bolt	0199	Free Spool Detent		
0159	Bolt Shield	0200	Ball Bearing		
0161	Quadrant/Line Guard Screw	0201	Pinion Gear (A)		
0162	Strike Stop	0202	Pinion Gear (B)	0146	Wrench
0163	Pressure Spring (B)	0203	Pinion Guard	0224	Rod Clamp Bolt
0164	Side Plate Screw (A)	0205	Drive Gear (A)	0225	Rod Clamp Nut (B)
0166	Guard against Dog	0206	Friction Washer (C)	0226	Rod Clamp
0167	Guard Screw	0207	Drive Gear (B)	0227	Rod Clamp Nut (A)
0168	Dog Spring Retainer	0208	Drive Shaft		

Prices and specifications subject to change without notice

(020903)