

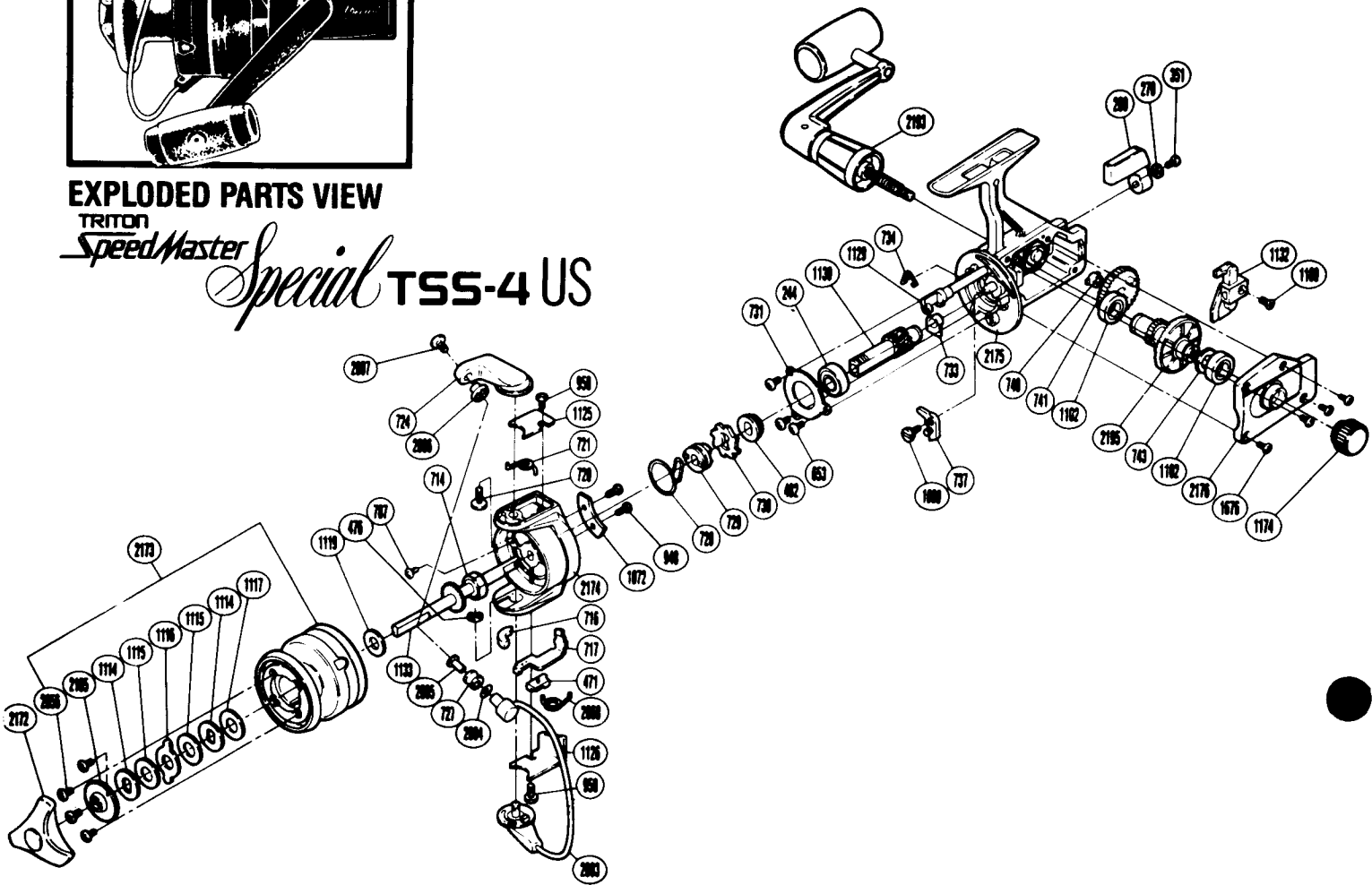
# SHIMANO®

## 1989 REPAIR MANUAL

Shimano American Corporation, One Shimano Dr.  
Irvine, CA 92718

### EXPLODED PARTS VIEW

TRITON  
*SpeedMaster*  
*Special* TSS-4 US



### PARTS LIST

#### PART # DESCRIPTION

RD 0244	Ball Bearing
RD 0269	Anti-Reverse Lever
RD 0270	(Lever Screw) Lock Washer
RD 0351	(Bail) Trip Cover Screw
RD 0471	Trip Lever Guide
RD 0476	"E" Lock
RD 0482	Pinion Spacer
RD 0653	Bail Trip Cover Screw
RD 0714	Rotor Nut
RD 0716	Bail Trip Side Cam
RD 0717	Bail Trip Lever
RD 0720	Bail Arm Screw
RD 0721	Bail Spring
RD 0724	Bail Arm
RD 0727	Line Roller
RD 0728	Anti-Reverse Pawl Spring
RD 0729	Anti-Reverse Spring Holder
RD 0730	Anti-Reverse Ratchet
RD 0731	Bearing Retainer
RD 0733	Pinion Gear Bushing

#### PART # DESCRIPTION

RD 0734	Anti-Reverse Cam Spring
RD 0737	Anti-Reverse Pawl Assembly
RD 0740	Oscillating Gear Bushing
RD 0741	Oscillating Gear Assembly
RD 0743	Drive Gear Washer
RD 0787	Nut Lock Screw
RD 0948	Bail Trip Cover Screw
RD 0958	Bail Trip Cover Screw
RD 1000	Anti-Reverse Pawl Screw
RD 1072	Counter Weight
RD 1102	Ball Bearing
RD 1109	Slider Retainer Screw
RD 1114	Key Washer
RD 1115	Drag Washer 1
RD 1116	Eared Washer
RD 1117	Drag Washer 2
RD 1119	Spool Washer
RD 1125	Bail Spring Cover
RD 1126	Bail Trip Cover
RD 1129	Anti-Reverse Cam

#### PART # DESCRIPTION

RD 1130	Pinion Gear
RD 1132	Oscillating Slider
RD 1133	Main Shaft
RD 1174	Handle Screw Cap
RD 1676	Side Cover Screw
RD 2056	Seal Plate Screw
RD 2068	Lever Spring
RD 2093	Bail Assembly
RD 2094	Line Roller Spacer
RD 2095	Line Roller Bushing
RD 2096	Line Roller Washer
RD 2097	Line Roller Screw
RD 2165	Seal Plate
RD 2172	Drag Knob
RD 2173	Spool Assembly
RD 2174	Rotor
RD 2175	Body
RD 2176	Side Cover
RD 2193	Handle
RD 2195	Drive Gear