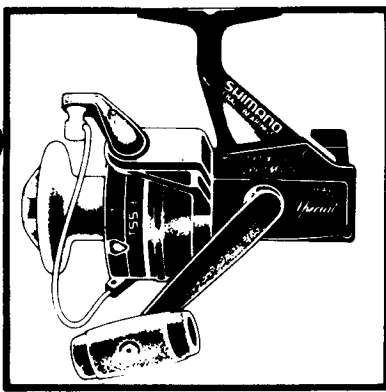
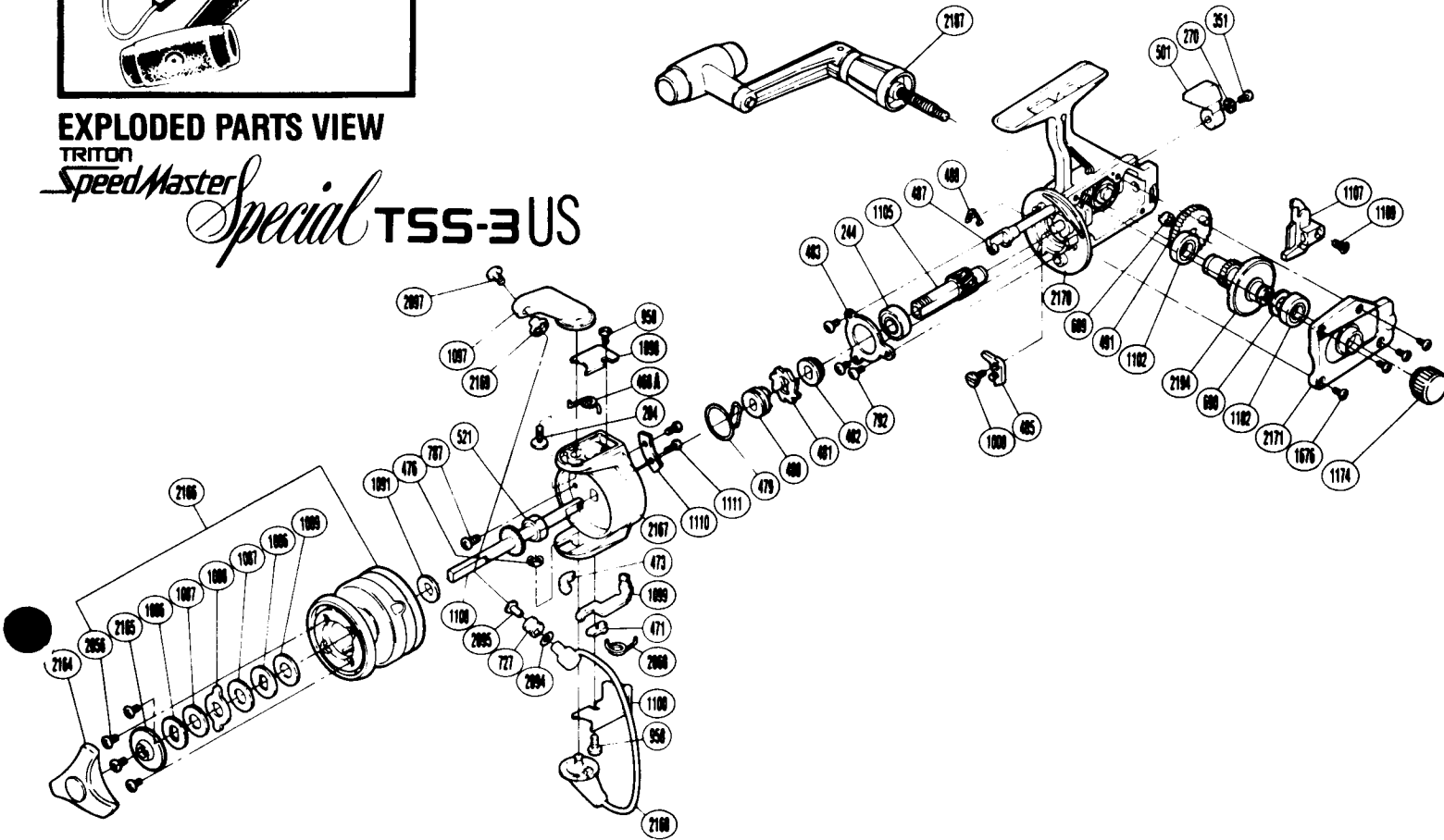


**1989 REPAIR MANUAL**Shimano American Corporation, One Shimano Dr.  
Irvine, CA 92718**EXPLODED PARTS VIEW**
**TRITON**  
*SpeedMaster*  
**Special TSS-3US**
**PARTS LIST****PART # DESCRIPTION**

RD 0204	Bail Arm Screw
RD 0244	Ball Bearing
RD 0270	(Lever Screw) Lock Washer
RD 0351	(Bail) Trip Cover Screw
RD 0468A	Bail Spring (Black)
RD 0471	Trip Lever Guide
RD 0473	Bail Trip Slide Cam
RD 0476	"E" Lock
RD 0479	Anti-Reverse Pawl Spring
RD 0480	Anti-Reverse Spring Holder
RD 0481	Anti-Reverse Ratchet
RD 0482	Pinion Spacer
RD 0483	Bearing Retainer
RD 0485	Anti-Reverse Pawl Assembly
RD 0487	Anti-Reverse Cam
RD 0488	Anti-Reverse Cam Spring
RD 0491	Oscillating Gear Assembly
RD 0501	Anti-Reverse Lever
RD 0521	Rotor Nut
RD 0689	Oscillating Gear Bushing

**PART # DESCRIPTION**

RD 0690	Drive Gear Washer
RD 0727	Line Roller
RD 0787	Nut Lock Screw
RD 0792	Bearing Retainer Screw
RD 0958	Bail Trip Cover Screw
RD 1000	Anti-Reverse Pawl Screw
RD 1086	Key Washer
RD 1087	Drag Washer 1
RD 1088	Eared Washer
RD 1089	Drag Washer 2
RD 1091	Spool Washer
RD 1097	Bail Arm
RD 1098	Bail Spring Cover
RD 1099	Bail Trip Lever
RD 1100	Bail Trip Cover
RD 1102	Ball Bearing
RD 1105	Pinion Gear
RD 1107	Oscillating Slider
RD 1108	Main Shaft
RD 1109	Slider Retainer Screw

**PART # DESCRIPTION**

RD 1110	Counter Weight
RD 1111	Counter Weight Screw
RD 1174	Handle Screw Cap
RD 1676	Side Cover Screw
RD 2056	Seal Plate Screw
RD 2068	Lever Spring
RD 2094	Line Roller Spacer
RD 2095	Line Roller Bushing
RD 2097	Line Roller Screw
RD 2164	Drag Knob
RD 2165	Seal Plate
RD 2166	Spool Assembly
RD 2167	Rotor
RD 2168	Bail Assembly
RD 2169	Line Roller Washer
RD 2170	Body
RD 2171	Side Cover
RD 2187	Handle Assembly
RD 2194	Drive Gear