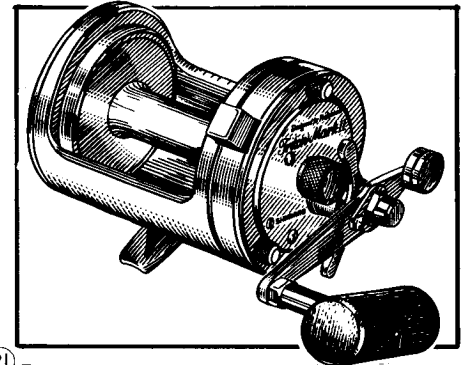


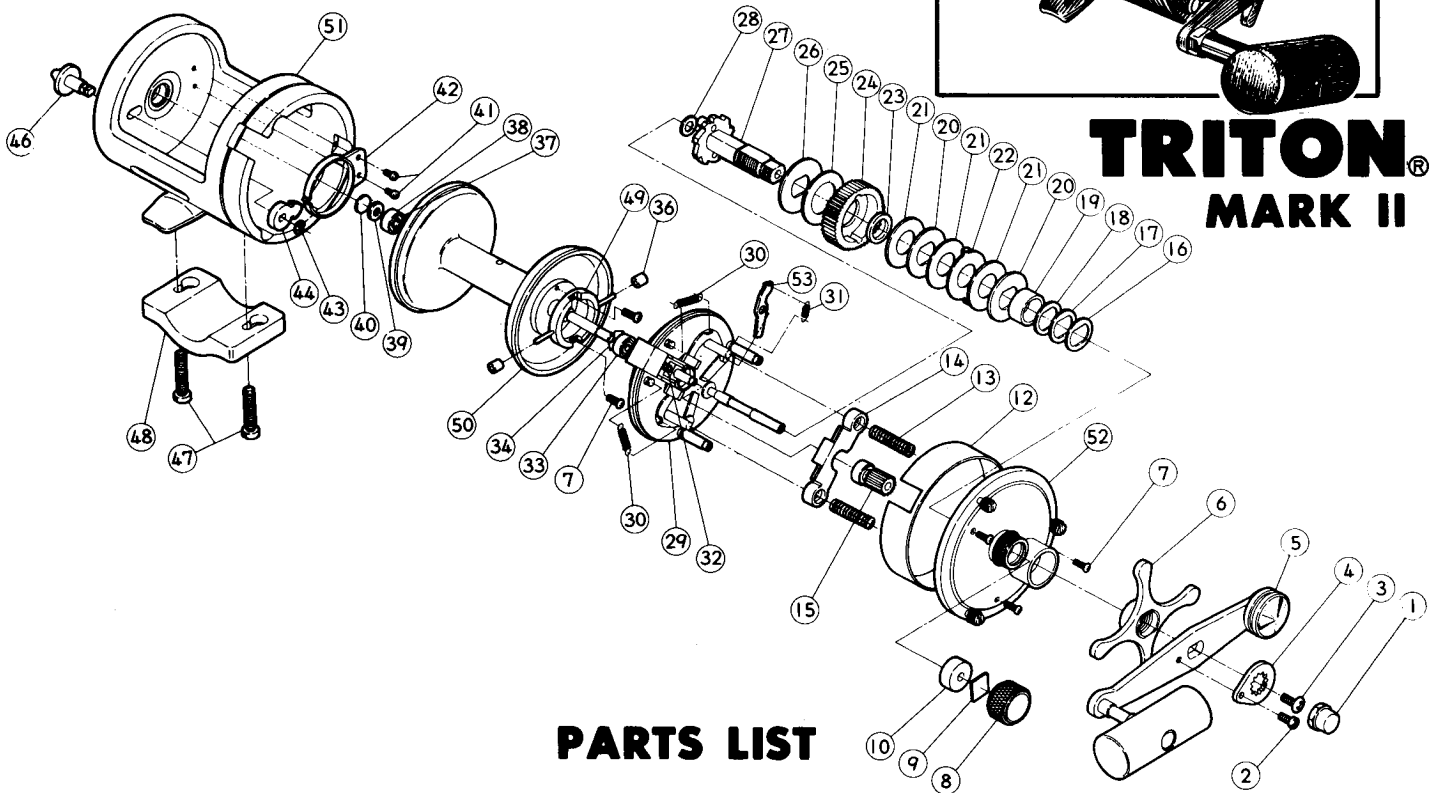
REPAIR MANUAL SHEET TRITON MARK II

Shimano American Corporation, 205 Jefferson Road
Parisippany, N.J. 07054

EXPLODED PARTS VIEW



TRITON[®] MARK II



PARTS LIST

PART #	DESCRIPTION	PRICE	PART #	DESCRIPTION	PRICE	PART #	DESCRIPTION	PRICE
1	Handle Nut	.60	19	Drag Tube	.50	37	Left Bearing Lock	.15
2	Handle Nut Lock Screw	.15	20	Drag Disk	.35	38	Left Spool Shaft Bearing	6.00
3	Drive Shaft Retainer Screw	.15	21	Drag Washer	.30	39	Bearing Spacer	.15
4	Handle Nut Lock Plate	.25	22	Key Washer	.35	40	Friction Shim	.15
5	Handle	10.00	23	Base Ring	.45	41	Click Spring Screw	.15
6	Drag Star	4.50	24	Drive Gear	11.00	42	Click Spring	1.15
7	Right Side Plate Screw	.15	25	Base Drag Washer	.35	43	Click Pawl "C" Lock	.15
8	Cast Control Cap	1.15	26	Base Drag Disk	.35	44	Click Pawl	.30
9	Cast Control Spacer	.15	27	Drive Shaft	7.50	46	Click Button	1.00
10	Cast Control Bushing	.25	28	Drive Shaft Shim	.15	47	Rod Clamp Screw	.80
12	Gear Housing Ring	2.50	29	Set Plate	20.00	48	Rod Clamp	2.00
13	Pinion Yoke Spring	.15	30	Retractor Spring	.35	49	Centrifugal Brake Ring	.80
14	Pinion Yoke	.25	31	A/R Dog Spring	.40	50	Spool	33.00
15	Pinion Gear	6.00	32	Trigger Spring	.30	51	Frame	40.00
16	Top Spacer	.25	33	Right Spool Shaft Bearing	6.00	52	Side Plate	18.00
17	Spring Washer	.50	34	Right Bearing Lock	.15	53	Anti Reverse Dog	.60
18	Base Spacer	.35	36	Centrifugal Brake Weight	.25			

Prices and specifications subject to change without notice.