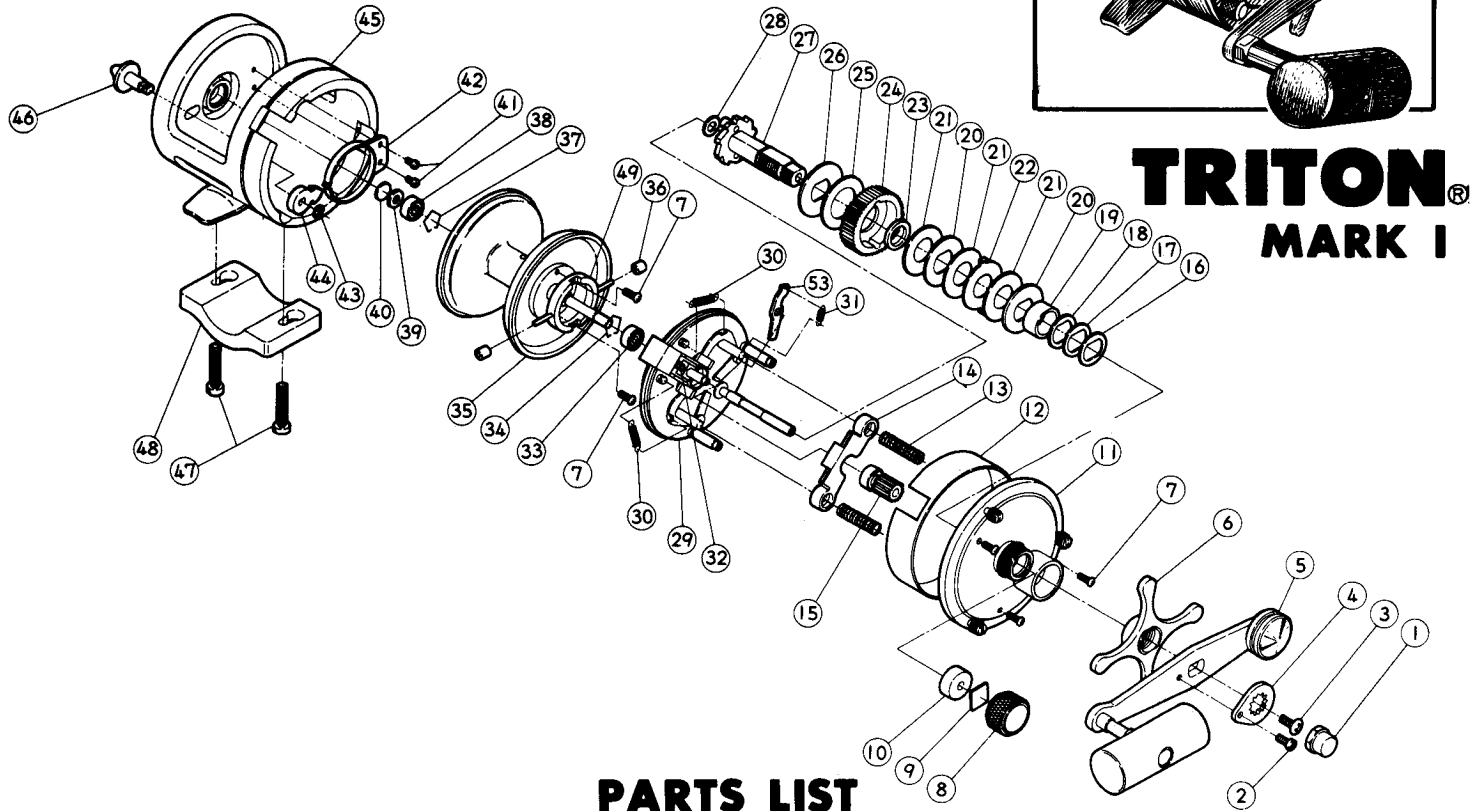
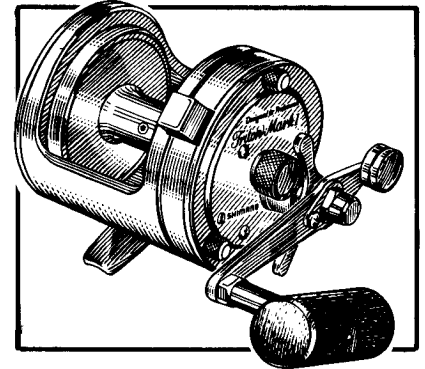


REPAIR MANUAL SHEET TRITON MARK I

Shimano American Corporation, 205 Jefferson Road
Parisippany, N.J. 07054

EXPLODED PARTS VIEW



PARTS LIST

PART #	DESCRIPTION	PRICE	PART #	DESCRIPTION	PRICE	PART #	DESCRIPTION	PRICE
1	Handle Nut	.60	18	Base Spacer	.35	35	Spool	30.00
2	Handle Nut Lock Screw	.15	19	Drag Tube	.50	36	Centrifugal Brake Weight	.25
3	Drive Shaft Retainer Screw	.15	20	Drag Disk	.35	37	Left Bearing Lock	.15
4	Handle Nut Lock Plate	.25	21	Drag Washer	.30	38	Left Spool Shaft Bearing	6.00
5	Handle	10.00	22	Key Washer	.35	39	Bearing Spacer	.15
6	Drag Star	4.50	23	Base Ring	.45	40	Friction Shim	.15
7	Right Side Plate Screw	.15	24	Drive Gear	11.00	41	Click Spring Screw	.15
8	Cast Control Cap	1.15	25	Base Drag Washer	.35	42	Click Spring	1.15
9	Cast Control Spacer	.15	26	Base Drag Disk	.35	43	Click Pawl "C" Lock	.15
10	Cast Control Bushing	.25	27	Drive Shaft	7.50	44	Click Pawl	.30
11	Side Plate	18.00	28	Drive Shaft Shim	.15	45	Frame	40.00
12	Gear Housing Ring	2.50	29	Set Plate	20.00	46	Click Button	1.00
13	Pinion Yoke Spring	.15	30	Retractor Spring	.35	47	Rod Clamp Screw	.80
14	Pinion Yoke	.25	31	A/R Dog Spring	.40	48	Rod Clamp	2.00
15	Pinion Gear	6.00	32	Trigger Spring	.30	49	Centrifugal Brake Ring	.80
16	Top Spacer	.25	33	Right Spool Shaft Bearing	6.00	53	Anti Reverse Dog	.60
17	Spring Washer	.50	34	Right Bearing Lock	.15			

Prices and specifications subject to change without notice.