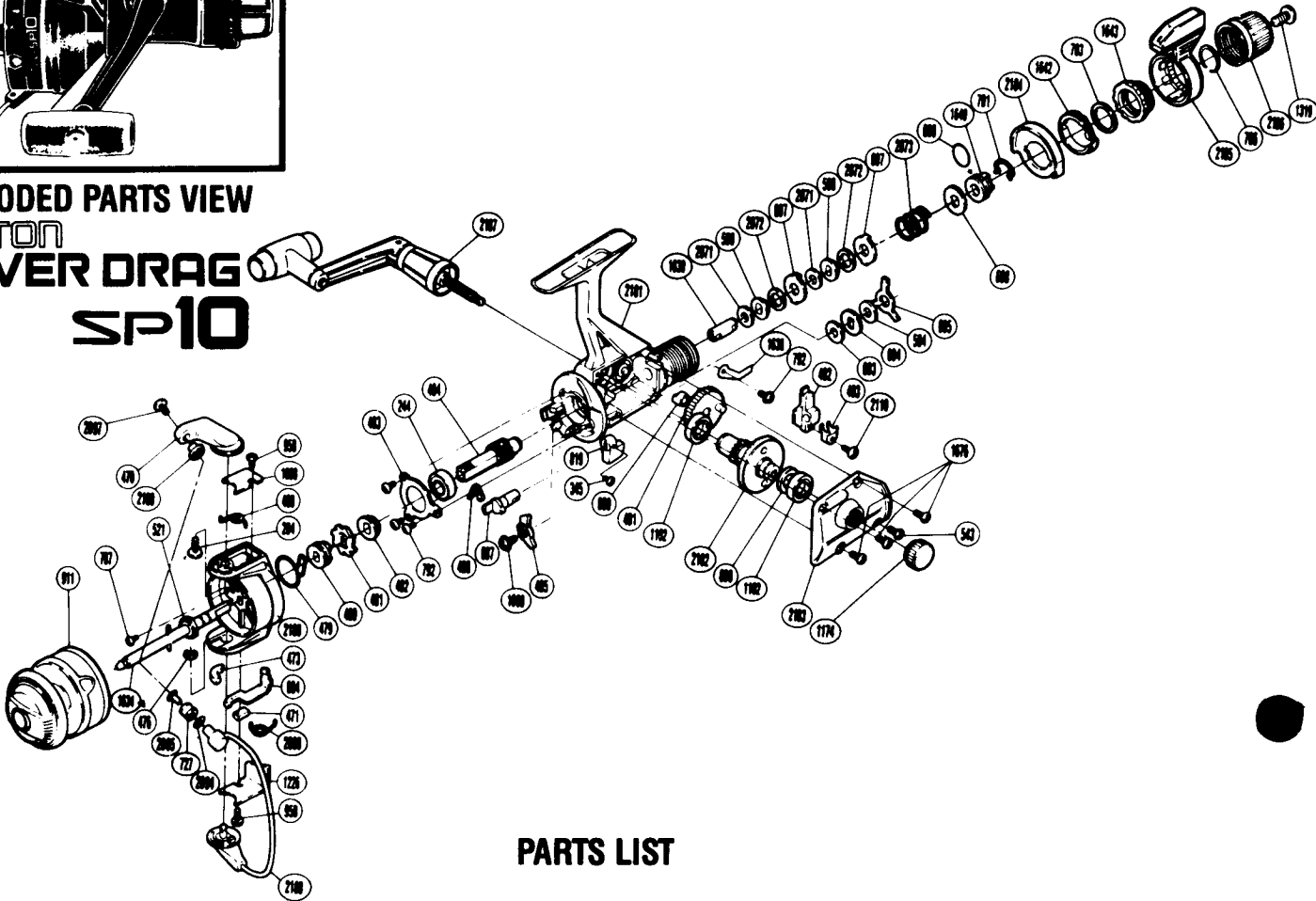


EXPLODED PARTS VIEW
TRITON
LEVER DRAG
SP10



PARTS LIST

PART # DESCRIPTION

RD 0204	Bail Arm Screw
RD 0244	Ball Bearing
RD 0345	Anti-Reverse Lever Screw
RD 0468	Bail Spring
RD 0470	Bail Arm
RD 0471	Trip Lever Guide
RD 0473	Bail Trip Slide Cam
RD 0476	"E" Lock
RD 0479	Anti-Reverse Pawl Spring
RD 0480	Anti-Reverse Spring Holder
RD 0481	Anti-Reverse Ratchet
RD 0482	Pinion Spacer
RD 0483	Bearing Retainer
RD 0484	Pinion Gear
RD 0485	Anti-Reverse Pawl Assembly
RD 0488	Anti-Reverse Cam Spring
RD 0491	Oscillating Gear Assembly
RD 0492	Oscillating Slider
RD 0493	Oscillating Slider Retainer
RD 0504	Drag Washer "C" (Black)
RD 0508	Key Washer "A"
RD 0521	Rotor Nut
RD 0543	Side Cover Screw (B)
RD 0684	Bail Trip Lever
RD 0687	Anti-Reverse Cam

PART # DESCRIPTION

RD 0689	Oscillating Gear Bushing
RD 0690	Drive Gear Washer
RD 0693	Drag Washer "C2" (White)
RD 0694	Click Gear
RD 0695	Eared Washer "BF"
RD 0697	Eared Washer "B"
RD 0698	Drag Spring Washer "A"
RD 0699	"O" Ring
RD 0701	Hold Click Spring
RD 0703	Fightin' Pressure Screw Washer
RD 0706	Lever Hold Spring
RD 0727	Line Roller
RD 0787	Nut Lock Screw
RD 0792	Bearing Retainer Screw
RD 0819	Anti-Reverse Lever (Black)
RD 0911	Spool Assembly (Universal)
RD 0958	Bail Trip Cover Screw
RD 1000	Anti-Reverse Pawl Screw
RD 1098	Bail Spring Cover
RD 1102	Ball Bearing
RD 1174	Handle Screw Cap
RD 1226	Bail Trip Cover
RD 1319	Drag Knob Screw
RD 1634	Main Shaft
RD 1638	Drag Click

PART # DESCRIPTION

RD 1639	Drag Shaft
RD 1640	Pressure Screw
RD 1642	Lever Click Gear
RD 1643	Fightin' Pressure Screw
RD 1676	Side Cover Screw
RD 2068	Lever Spring
RD 2071	Drag Washer "D1"
RD 2072	Drag Washer "F2"
RD 2073	Drag Coil Spring
RD 2094	Line Roller Spacer
RD 2095	Line Roller Bushing
RD 2097	Line Roller Screw
RD 2110	Slider Retainer Screw
RD 2168	Bail Assembly
RD 2169	Line Roller Washer
RD 2180	Rotor
RD 2181	Body
RD 2182	Drive Gear
RD 2183	Side Cover
RD 2184	Lever Quadrant
RD 2185	Fightin' Drag II Lever
RD 2186	Drag Programmer
RD 2187	Handle Assembly