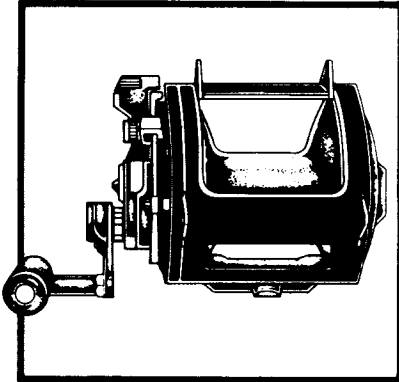


1989 Model



**EXPLODED PARTS VIEW**  
**TRITON *Beast Master***  
**4/0**  
SPEED GEAR RATIO

### PARTS LIST

PART #	DESCRIPTION
TT 0001	Handle Lock Screw
TT 0002A	Handle Bolt Plate
TT 0003A	Handle Bolt
TT 0004A	Handle Assembly
TT 0005A	Drive Shaft Shield
TT 0006A	Drive Shaft Washer
TT 0007A	Pre Program Dial
TT 0008	Detent Spring
TT 0009	Detent Spring Washer
TT 0010A	Cover/Quadrant Screw
TT 0011A	Lever Hub Cover
TT 0013	"C" Lock
TT 0014A	Lever Thrust Ring A
TT 0015A	Drag Control Lever
TT 0016A	Lever Thrust Ring B
TT 0018A	Body "O" Seal
TT 0019A	Lever Hub Ratchet
TT 0020A	Quadrant Anchor Bolt
TT 0021	Bolt Shield
TT 0022A	Quadrant Support
TT 0023A	Lever Quadrant
TT 0024A	Cross Bar Bolt
TT 0025A	Side Plate Screw
TT 0026A	Side Plate
TT 0027A	Strike Alert Lever
TT 0029A	Plunger Spring
TT 0030A	Alert Plunger
TT 0031A	Pre Program Key
TT 0032A	Pre Program Screw
TT 0033A	Ball Bearing
TT 0034A	Drive Gear (A)
TT 0034B	Drive Gear (B)
TT 0035A	Pinion Gear (A)
TT 0035B	Pinion Gear (B)
TT 0036A	Cross Pin (A)
TT 0036B	Cross Pin (B)
TT 0040A	Preload Spring
TT 0042A	Bearing Thrust Washer
TT 0043A	Alert Ratchet
TT 0050	Dog Spring
TT 0051	Dog Spring Screw
TT 0052	Spring Screw Washer
TT 0053	Dog
TT 0054	Backing Plate
TT 0056	Harness Lug
TT 0088	Lock Washer
TT 0089	Bolt Shield Bushing
TT 0090	Push Button Shield Screw
TT 0091	Push Button Shield
TT 0092	Handle Bolt Plate Screw
TT 0093	Slide Plate Spring
TT 0094	Slide Plate
TT 0095	Push "Low" Button Shaft
TT 0096	"E" Lock
TT 0097	"C" Lock
TT 0098	Strike Alert Lever Cover
TT 0099	Plunger Cross Pin
TT 0100	Plunger Cross Pin Support
TT 0101	Plunger Spring Plate
TT 0102	Friction Washer (A)
TT 0103	Friction Washer (B)
TT 0104	Drive Shaft
TT 0105	Gear Select Cross Bar
TT 0106	Cross Bar Stop
TT 0107	Drive Shaft Spring "B"
TT 0108	Drive Shaft Spring
TT 0109	Drive Shaft Screw
TT 0110	"E" Lock
TT 0111	Strike "Two" Slide
TT 0112	Strike "Two" Adjust Washer
TT 0113	Strike "Two" Adjust Slide
TT 0114	Lever Shaft Body Washer
TT 0115	Lever Shaft Body
TT 0116	Pre Program Key Pin
TT 0127	Rod Clamp Bolt (A)
TT 0128	Rod Clamp Nut (B)
TT 0129	Rod Clamp
TT 0130	Rod Clamp Nut (A)
TT 0134	Inner Pre Load Washer
TT 0135	Spool
TT 0136	Drag Washer
TT 0137	Main Shaft
TT 0138	Pressure Plate Spring
TT 0139	Drag Plate Retainer
TT 0140	Drag Plate
TT 0141	Pressure Plate
TT 0142	Spacer
TT 0143	Cooling Shield
TT 0144	One-Piece Frame
TT 0145	Cross Bar
TT 0146	Wrench