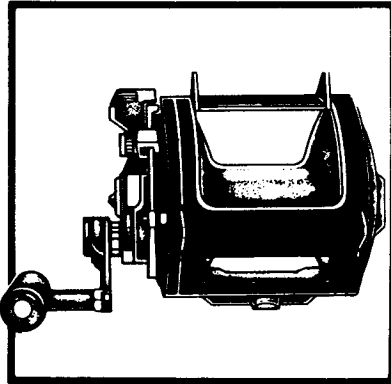


1989 Model



**EXPLODED PARTS VIEW**  
Triton *Beast Master*  
**30/50**

### PARTS LIST

PART #	DESCRIPTION
TT 0001	Handle Lock Screw
TT 0002A	Handle Bolt Plate
TT 0003A	Handle Bolt
TT 0004B	Handle Assembly
TT 0005A	Drive Shaft Shield
TT 0006A	Drive Shaft Washer
TT 0007B	Pre Program Dial
TT 0008	Detent Spring
TT 0009	Detent Spring Washer
TT 0010A	Cover/Quadrant Screw
TT 0011A	Lever Hub Cover
TT 0013	"C" Lock
TT 0014A	Lever Thrust Ring A
TT 0015B	Drag Control Lever
TT 0016A	Lever Thrust Ring B
TT 0018A	Body "O" Seal
TT 0019A	Lever Hub Ratchet
TT 0020A	Quadrant Anchor Bolt
TT 0021	Bolt Shield
TT 0022B	Quadrant Support
TT 0023B	Lever Quadrant
TT 0024A	Cross Bar Bolt
TT 0025A	Side Plate Screw
TT 0026B	Side Plate
TT 0027	Strike Alert Lever
TT 0028	Alert Lever Retainer
TT 0029	Plunger Spring
TT 0030B	Alert Plunger
TT 0031B	Pre Program Key
TT 0032B	Pre Program Screw
TT 0033	Ball Bearing
TT 0034C	Drive Gear (A)
TT 0034D	Drive Gear (B)
TT 0035C	Pinion Gear (A)
TT 0035B	Pinion Gear (B)
TT 0036	Cross Pin
TT 0036C	Cross Pin (B)
TT 0037B	Main Shaft
TT 0040	Preload Spring H
TT 0041B	Inner Pre Load Washer
TT 0042	Bearing Thrust Washer
TT 0043A	Alert Ratchet
TT 0044B	Spool
TT 0045B	Pressure Plate Spring
TT 0050	Dog Spring
TT 0051	Dog Spring Screw
TT 0052	Spring Screw Washer
TT 0053	Dog
TT 0054	Backing Plate
TT 0055B	One Piece Frame
TT 0056	Harness Lug
TT 0057B	Cross Bar
TT 0069	Alert Plunger Retainer
TT 0070A	Strike Alert Lever Seal
TT 0088	Lock Washer
TT 008C	Bolt Shield Bushing
TT 0090	Push Button Shield Screw
TT 0091	Push Button Shield
TT 0092	Handle Bolt Plate Screw
TT 0093	Slide Plate Spring
TT 0094	Slide Plate
TT 0095A	Push "Low" Button Shaft
TT 0096	"E" Lock
TT 0097	"C" Lock
TT 0102	Friction Washer (A)
TT 0103	Friction Washer (B)
TT 0104A	Drive Shaft
TT 0105	Gear Select Cross Bar
TT 0106	Cross Bar Stop
TT 0107	Drive Shaft Spring "B"
TT 0108	Drive Shaft Spring
TT 0109	Drive Shaft Screw
TT 0110	"E" Lock
TT 0111	Strike "Two" Slide
TT 0112	Strike "Two" Adjust Washer
TT 0113	Strike "Two" Adjust Slide
TT 0114A	Lever Shaft Body Washer
TT 0115A	Lever Shaft Body
TT 0116A	Pre Program Key Pin
TT 0117A	Ball Bearing
TT 0118A	Bearing Retainer
TT 0119A	Drag Washer
TT 0120A	Pressure Seal "O" Ring
TT 0121A	Pressure Seal
TT 0122A	Drag Plate
TT 0123A	Pressure Plate
TT 0124A	Clutch Pad Plate
TT 0125A	Clutch Plate
TT 0126	Wrench
TT 0127	Rod Clamp Bolt (A)
TT 0128	Rod Clamp Nut (B)
TT 0129	Rod Clamp
TT 0130	Rod Clamp Nut (A)