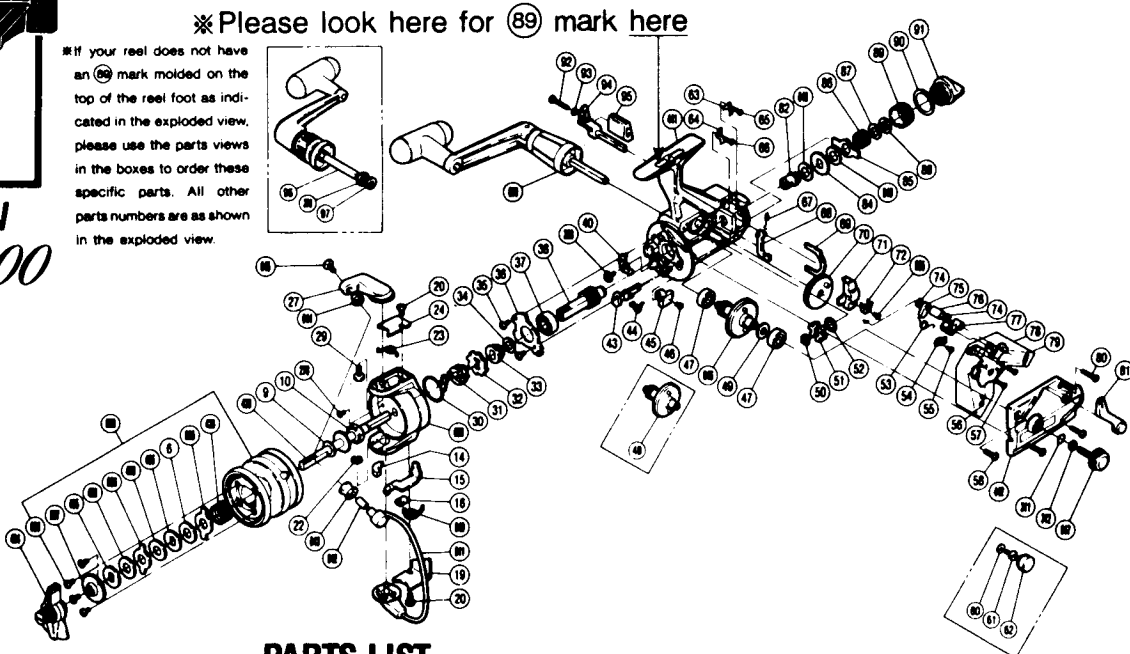
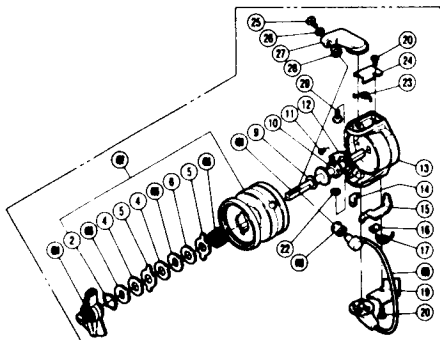


## EXPLODED PARTS VIEW

TRITON ADVANCED CONSTRUCTION  
BAITRUNNER *Plus 3500*



※Please look here for (89) mark here

※If your reel does not have an (89) mark molded on the top of the reel foot as indicated in the exploded view, please use the parts views in the boxes to order these specific parts. All other parts numbers are as shown in the exploded view.

## PARTS LIST

### PART # DESCRIPTION

BR 0002	Drag Washers Retainer
BR 0004	Drag Washer 1
BR 0005	Eared Washer
BR 0006	Drag Washer 2
BR 0009	Spool Washer
BR 0010	Rotor Nut
BR 0011	Nut Lock Screw
BR 0012	Rotor Nut Lock Plate
BR 0013	Rotor
BR 0014	Bail Trip Slide Cam
BR 0015	Bail Trip Lever
BR 0016	Trip Lever Guide
BR 0017	Lever Spring
BR 0019	Bail Trip Cover
BR 0020	Bail Trip Cover Screw
BR 0022	"E" Lock
BR 0023	Bail Spring
BR 0024	Bail Spring Cover
BR 0025	Line Roller Screw
BR 0026	Lock Washer
BR 0027	Bail Arm
BR 0028	Line Roller Washer
BR 0029	Bail Arm Screw
BR 0030	Anti-Reverse Pawl Spring
BR 0031	Anti-Reverse Spring Holder
BR 0032	Anti-Reverse Ratchet
BR 0033	Pinion Spacer
BR 0034	Bushing Washer
BR 0035	Bearing Retainer Screw
BR 0036	Bearing Retainer
BR 0037	Ball Bearing
BR 0038	Pinion Gear
BR 0040	Anti-Reverse Pawl
BR 0043	Anti-Reverse Cam
BR 0044	Anti-Reverse Cam Spring
BR 0045	Anti-Reverse Lever
BR 0046	Anti-Reverse Lever Screw
BR 0047	Ball Bearings
BR 0048	Drive Gear

### PART # DESCRIPTION

BR 0049	Drive Gear Washer
BR 0050	"C" Lock
BR 0051	Baitrunner Ratchet
BR 0052	Ratchet Spacer
BR 0053	Clutch Spring
BR 0054	Lever Shaft Retainer
BR 0055	Shaft Retainer Screw
BR 0056	Clutch Pawl Spring
BR 0057	Clutch Plate Screw
BR 0058	Side Cover Screw A
BR 0060	Handle Lock Washer
BR 0061	Handle Lock Screw
BR 0062	Handle Screw Cap
BR 0063	Dial Click
BR 0064	Baitrunner Pawl Guide
BR 0065	Dial Click Screw
BR 0066	Pawl Guide Screw
BR 0067	Baitrunner Pawl Spring
BR 0068	Baitrunner Pawl
BR 0069	Dial Retainer
BR 0070	Oscillating Gear
BR 0071	Oscillating Slider
BR 0072	Oscillating Slider Retainer
BR 0074	Clutch Cam Spacer B
BR 0075	Clutch Cam
BR 0076	Clutch Cam Spacer A
BR 0077	Clutch Arm
BR 0078	Clutch Plate Assembly
BR 0079	Baitrunner Click Spring
BR 0080	Side Cover Screw B
BR 0081	Baitrunner Lever Arm (L)
BR 0082	Free Spool Tension Shaft
BR 0084	Click Gear
BR 0085	Eared Washer "BFS"
BR 0086	Free Spool Tension Spring
BR 0087	Tension Spring Washer "A"
BR 0088	Tension Spring Washer "B"
BR 0089	Free Spool Tension Screw
BR 0090	Dial Spacer

### PART # DESCRIPTION

BR 0091	Baitrunner Tension Dial
BR 0092	Baitrunner Lever Screw
BR 0093	Lock Washer
BR 0094	Baitrunner Lever Arm (R)
BR 0095	Baitrunner Lever Bridge
BR 0096	Handle Assembly
BR 0097	Handle Lock Spacer
BR 0278	Nut Lock Screw
BR 0311	Lock Washer Retainer
BR 0312	Handle Lock Washer
BR 0363	Anti-Reverse Pawl Screw
BR 0379	Handle Lock Ring
BR 0434	Fightin' Drag Knob
BR 0435	Key Washer
BR 0436	Drag Coil Spring
BR 0437	Spool Assembly
BR 0438	Main Shaft
BR 0439	Bail Assembly
BR 0440	Line Roller
BR 0441	Body
BR 0442	Side Cover
BR 0459	Drag Washer 1
BR 0636	Seal Plate Screw
BR 0637	Seal Plate
BR 0638	Spool Assembly
BR 0639	Rotor
BR 0640	Lever Spring
BR 0641	Bail Assembly
BR 0642	Line Roller Bushing
BR 0643	Line Roller
BR 0644	Line Roller Washer
BR 0645	Line Roller Screw
BR 0646	Drive Gear
BR 0647	Handle Screw Cap
BR 0648	Free Spool Tension Washer (A)
BR 0649	Free Spool Tension Washer (B)
BR 0650	Handle Assembly
BR 0685	Slider Retainer Screw
BR 0686	Eared Washer