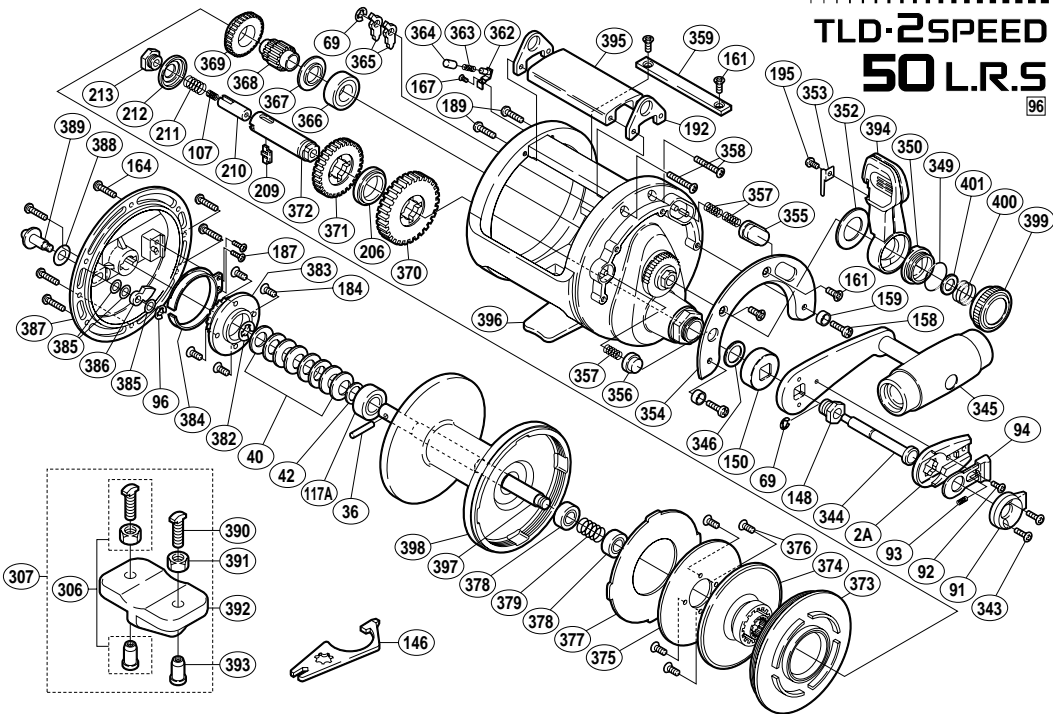


TLD-2SPEED 50 L.R.S

96



TT No.	PARTS NAMES	TT No.	PARTS NAMES	TT No.	PARTS NAMES
0002A	Handle Bolt Plate	0213	Drive Shaft Screw	0376	Drag Plate Screw
0036	Cross Pin	0343	Push Button Shield Screw	0377	Drag Washer
0040	Pre Load Spring	0344	Push "Low" Button Shaft	0378	Ball Bearing
0042	Bearing Thrust Washer	0345	Handle Assembly	0379	Pressure Release Spring
0069	"E" Lock	0346	Friction Washer	0382	"E" Lock
0091	Push Button Shield	0349	Body "O" Seal	0383	Click Gear
0092	Handle Bolt Plate Screw	0350	Lever Shaft Body	0384	Click Spring
0093	Slide Plate Spring	0352	Lever Thrust Washer	0385	Click Pawl Washer
0094	Slide Plate	0353	Lever Click Spring	0386	Click Pawl
0096	"E" Lock	0354	Lever Quadrant	0387	Left Side Plate
0107	Drive Shaft Spring "B"	0355	Strike Stop	0388	Click Button Washer
0117A	Ball Bearing	0356	Free Spool Detent	0389	Click Button
0148	Handle Bolt	0357	Pressure Spring	0394	Drag Control Lever
0150	Drive Shaft Shield	0358	Cross Bar Bolt (B)	0395	Cross Bar
0158	Quadrant Anchor Bolt	0359	Line Guard	0396	One-Piece Frame
0159	Bolt Shield	0362	Guard Against Dog	0397	Main Shaft
0161	Quadrant / Line Guard Screw	0363	Dog Spring	0398	Spool
0164	Left Side Plate Screw	0364	Dog Spring Guide	0399	Pre-Program Dial
0167	Guard Screw	0365	Dog	0400	Dial Spring
0184	Click Gear Screw	0366	Ball Bearing	0401	Lever Shaft Body Washer
0187	Click Spring Screw	0367	Pre Load Washer		
0189	Cross Bar Bolt (A)	0368	Pinion Gear (A)	0306	Rod Clamp Bolt / Nuts
0192	Harness Lug	0369	Pinion Gear (B)	0307	Rod Clamp Assembly
0195	Click Spring Screw	0370	Drive Gear (A)	0390	Rod Clamp Bolt
0206	Friction Washer (C)	0371	Drive Gear (B)	0391	Rod Clamp Nut (B)
0209	Gear Select Cross Bar	0372	Drive Shaft	0392	Rod Clamp
0210	Cross Bar Stop	0373	Cooling Shield	0393	Rod Clamp Nut (A)
0211	Drive Shaft Spring	0374	Drag Set Plate		
0212	Friction Washer (A)	0375	Drag Plate	0146	Wrench

(120129)