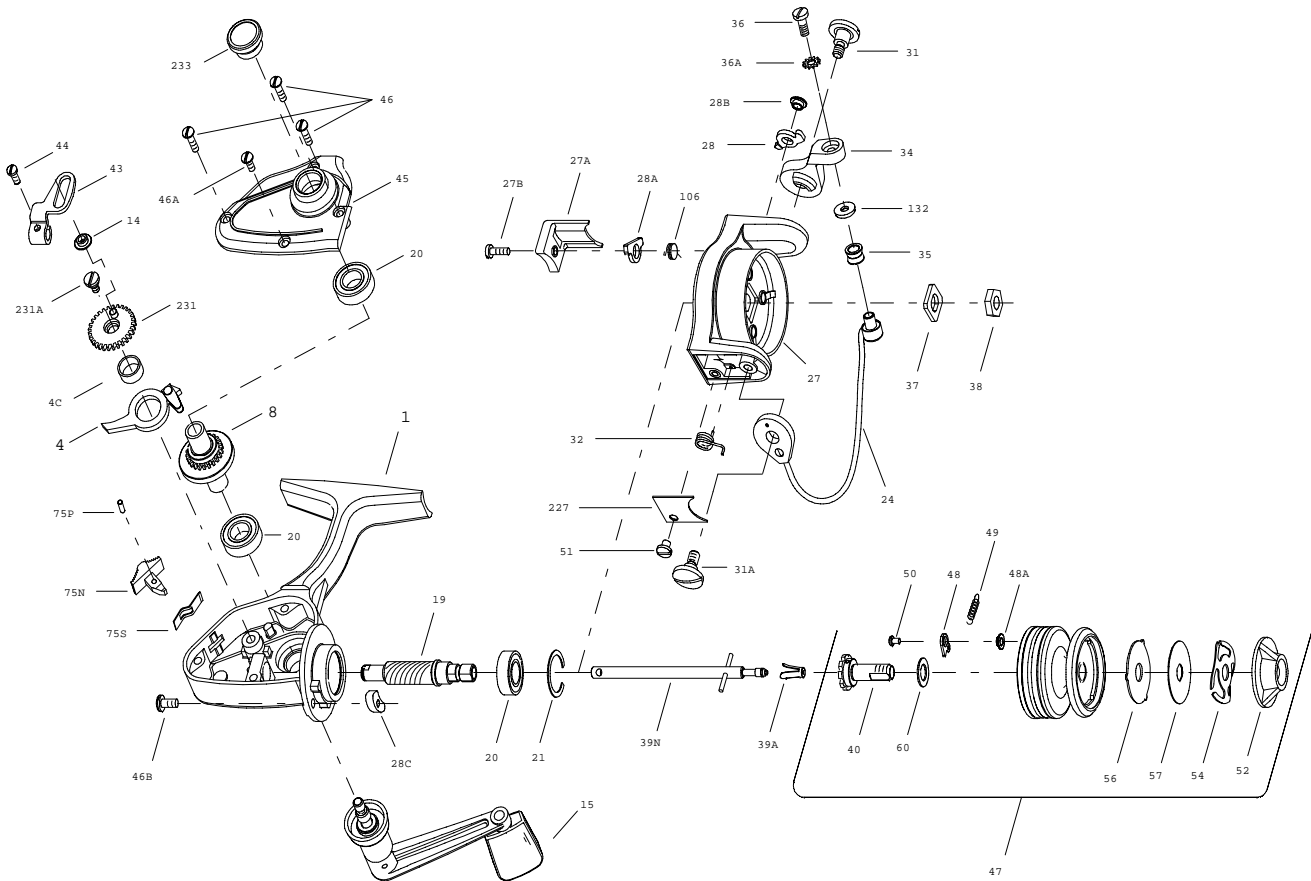




PARTS LIST FOR MODEL 4300SS



| KEY NO. | PART NO. | DESCRIPTION |
|---------|-----------|------------------------------|
| 1 | 001 4300 | Housing |
| 4 | 004 4300 | Dog |
| 4C | 004C4300 | Dog Sleeve |
| 8 | 008 4300 | Main Gear Assembly |
| 14 | 014 4300 | Crosswind Roller |
| 15 | 015 4300 | Handle (Complete) |
| 19 | 019 4300 | Pinion |
| 20 | 020 722 | Ball Bearing (3 req.) |
| 21 | 021 722 | Bearing Lock Ring |
| 24 | 024 4300 | Bail Wire Assembly |
| 27 | 027 4300 | Rotor Cup |
| 27A | 027A4300 | Bail Trip Cover |
| 27B | 027B420 | Bail Trip Cover Screw |
| 28 | 028 420 | Trip Lever |
| 28A | 028A440 | Cam Lever |
| 28B | 028B440 | Trip Lever Bushing |
| 28C | 028C420 | Trip Cam |
| 31 | 031 420 | Bail Arm Screw |
| 31A | 031A420 | Bail Cam Screw |
| 32 | 032 420 | Bail Spring |
| 34 | 034 420 | Bail Arm |
| 35 | 035 420 | Line Roller |
| 36 | 036 420 | Bail Stud Screw |
| 36A | 036A750 | Lock Washer |
| 37 | 037 420 | Rotor Cup Washer |
| 38 | 038 420 | Rotor Cup Nut |
| 39A | 039 4300 | Spool Shaft Complete |
| 39N | 039N4300 | Spool Shaft |
| 40 | 040 716 | Spool Sleeve Complete |
| 43 | 043 4300 | Crosswind Arm |
| 44 | 046 4300 | Crosswind Arm Screw |
| 45 | 045 4300 | Housing Cam |
| 46 | 046 4300 | Housing Cover Screw (3 req.) |
| 46A | 046A4300 | Housing Cover Screw Small |
| 46B | 046A704 | Trip Cam Screw |
| 47 | 047 4300 | Spool (Complete) |
| 48 | 048N4300 | Click Tongue |
| 48A | 048A4300 | Click Tongue Washer |
| 49 | 049 4300 | Click Spring |
| 50 | 063A2.5FR | Click Spring Screw |
| 51 | 050 712 | Bail Spring Cover Screw |
| 52 | 052 714 | Drag Knob |
| 54 | 054 716 | Drag Spring |
| 56 | 056 440 | Drag Washer-HT100 |
| 57 | 057 716 | Drag Washer Metal |
| 60 | 060 716 | Spool Sleeve Washer |
| 75N | 075N4300 | Anti-Reverse Button |
| 75P | 075P4300 | Button Spring Pin |
| 75S | 075S4300 | Anti-Reverse Button Spring |
| 106 | 106 5500 | Cam Lever Spring |
| 132 | 132 420 | Roller Washer |
| 227 | 227 4300 | Bail Spring Cover |
| 231 | 231 4300 | Crosswind Gear |
| 231A | 231A4300 | Crosswind Gear Screw |
| 233 | 233 4300 | Bearing Cover |