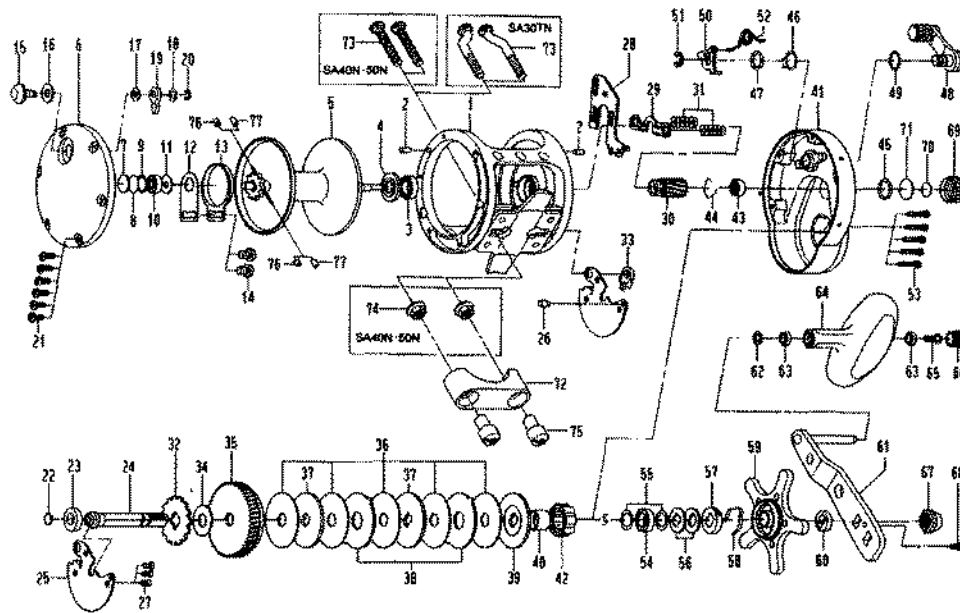


SALTIGA 30T/40/50



Key No.	Parts No.	Parts Name
1	G47-4001	FRAME
2	G21-1701	PIN
3	G42-7201	BALL BEARING A
4	G21-1901	WATER SHIELD
5	G47-4201	SPOOL
6	G45-9001	L/S PLT
7	G27-6300	BEARING WASHER A
8	G21-2401	BEARING WASHER B
9	F95-6702	BEARING WASHER C
10	G42-7701	BALL BEARING B
11	F13-2602	BEARING WASHER D
12	F13-1802	CLICK SPRING RET
13	160-7922	CLICK SPRING
14	G45-9201	CLICK SPRING SCREW
15	541-6501	CLICK BUTTON
16	375-9301	CLICK BUTTON WASHER A
17	375-1101	CLICK BUTTON WASHER B
18	373-1600	CLICK BUTTON WASHER C
19	030-6223	CLICK PAWL
20	320-1402	CLICK PAWL RET
21	G47-3701	L/S PLT SCREW
22	F73-3501	DRIVE SHAFT WASHER A
23	B73-8001	DRIVE SHAFT BUSH
24	G45-9301	DRIVE SHAFT
25	G45-9401	DRIVE SHAFT RET
26	G45-9501	A/R PAWL PIN
27	G21-2901	DRIVE SHAFT RET SCREW
28	G45-9602	YOKE PLT
29	E29-0601	YOKE
30	G45-9701	PINION GEAR
31	F93-5201	YOKE SPRING
32	F82-6301	A/R RATCHET
33	E48-9001	A/R PAWL
34	G21-4101	DRIVE SHAFT WASHER B
35	G46-2302	DRIVE GEAR
36	G45-9801	DRAG WASHER A
37	E31-7002	KEY WASHER A
38	E31-7101	EARED WASHER
39	373-7810	DRAG WASHER B
40	F82-7101	SPACING SLEEVE A
41	G47-4501	R/S PLT
42	F55-2703	HANDLE METAL
43	637-4602	BALL BEARING C
44	F03-2201	BEARING RET
45	B05-5201	O RING A
46	G21-5301	CLUTCH CAM WASHER

Key No.	Parts No.	Parts Name
47	171-5201	O RING B
48	G46-0601	CLUTCH LEVER
49	G15-7001	CLUTCH LEVER WASHER
50	G46-0901	CLUTCH CAM
51	320-7601	CLUTCH CAM RET
52	G55-4801	CLUTCH CAM SPRING
53	G47-3501	R/S PLT SCREW
54	F05-5502	BALL BEARING D
55	373-7812	BEARING WASHER D
56	E25-3501	DRAG SPRING WASHER
57	G21-7101	CLICK LEAF SPRING HOLDER
58	F97-7801	CLICK LEAF SPRING
59	G21-7201	STAR DRAG
60	G21-7601	SPACING SLEEVE B
61	G21-7801	HANDLE ARM
62	375-3000	HANDLE KNOB WASHER
63	F05-5601	BALL BEARING E
64	G33-9801	HANDLE KNOB
65	E45-4003	HANDLE KNOB SCREW A
66	G16-4402	HANDLE KNOB SCREW B
67	G22-0301	HANDLE NUT
68	G21-8201	HANDLE NUT SCREW
69	G46-1201	CAST CONTROL CAP
70	B17-5503	SPACER A
71	375-7501	SPACER B
72	G47-5901	ROD CLAMP
73	G47-4701	CLAMP BOLT
74	F18-7801	ROD BRACE NUT
75	F18-7701	CLAMP NUT
76	B35-2801	BRAKE COLLAR A
77	B35-2701	BRAKE COLLAR B

SPECIAL PART FOR SA40

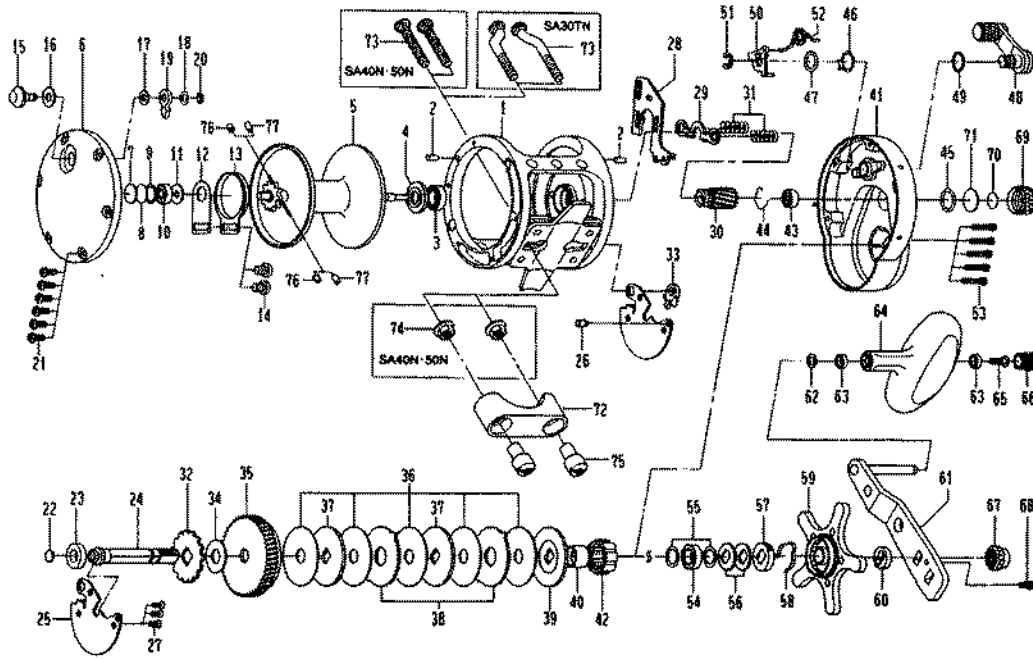
Key No.	Parts No.	Parts Name
1	G45-8201	FRAME
5	G45-8701	SPOOL
41	G46-0001	R/S PLT
72	G35-6401	ROD CLAMP

SPECIAL PART FOR SA50

Key No.	Parts No.	Parts Name
1	G46-1401	FRAME
5	G46-1601	SPOOL
41	G46-2101	R/S PLT

*FOR BLUE AND GOLD MODELS PLEASE REFER TO THE NEXT PAGE (pg. 71)

SALTIGA 30T/40/50



SPECIAL COLOR PARTS FOR 30/40/50 SERIES

SPECIAL PART FOR SA30TG - GOLD COLOR

Key No.	Parts No.	Parts Name
1	G56-9501	FRAME
5	G56-8101	SPOOL
6	G45-9103	L/S PLT
41	G56-8301	R/S PLT
48	G56-8501	CLUTCH LEVER
59	G56-8901	STAR DRAG
61	G42-7601	HANDLE ARM
66	G16-4404	HANDLE KNOB SCREW B
72	G47-5903	ROD CLAMP

SPECIAL PART FOR SA30TN - NAVY BLUE COLOR

Key No.	Parts No.	Parts Name
1	G56-7001	FRAME
6	G45-9102	L/S PLT
41	G56-7201	R/S PLT
48	G56-7401	CLUTCH LEVER
59	G56-7801	STAR DRAG
61	G56-8001	HANDLE ARM
66	G16-4403	HANDLE KNOB SCREW B
72	G47-5902	ROD CLAMP

SPECIAL PART FOR SA40G - GOLD COLOR

Key No.	Parts No.	Parts Name
1	G56-9601	FRAME
5	G56-9701	SPOOL
6	G45-9103	L/S PLT
41	G56-9801	R/S PLT
48	G56-8501	CLUTCH LEVER
59	G56-8901	STAR DRAG
61	G42-7601	HANDLE ARM
66	G16-4404	HANDLE KNOB SCREW B
72	G35-6403	ROD CLAMP

SPECIAL PART FOR SA40N - NAVY BLUE COLOR

Key No.	Parts No.	Parts Name
1	G56-9201	FRAME
5	G45-8701	SPOOL
6	G45-9102	L/S PLT
41	G56-9301	R/S PLT
48	G56-7401	CLUTCH LEVER
59	G56-7801	STAR DRAG
66	G16-4403	HANDLE KNOB SCREW B
61	G56-8001	HANDLE ARM
72	G35-6402	ROD CLAMP

SPECIAL PART FOR SA50G - GOLD COLOR

Key No.	Parts No.	Parts Name
1	G57-0201	FRAME
5	G57-0301	SPOOL
6	G45-9103	L/S PLT
41	G57-0401	R/S PLT
48	G56-8501	CLUTCH LEVER
59	G56-8901	STAR DRAG
61	G42-7601	HANDLE ARM
66	G16-4404	HANDLE KNOB SCREW B
72	G35-6403	ROD CLAMP

SPECIAL PART FOR SA50N - NAVY BLUE COLOR

Key No.	Parts No.	Parts Name
1	G56-9901	FRAME
5	G46-1601	SPOOL
6	G45-9102	L/S PLT
41	G57-0001	R/S PLT
59	G56-7801	STAR DRAG
61	G56-8001	HANDLE ARM
72	G35-6402	ROD CLAMP